

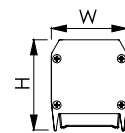
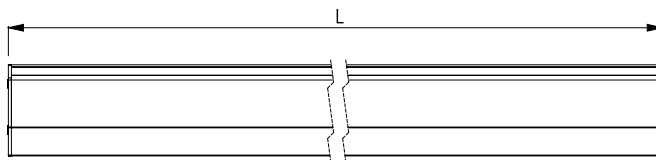
## Technical Specification

## ACE-BLANK

<b>Product Name:</b>	ACE-BLANK
<b>Category:</b>	Linear Accessories
<b>Description:</b>	Used in combination with the ACE Linear modular system



### Dimensions



Product Code	<u>L</u> ength (mm)	<u>W</u> idth (mm)	<u>H</u> eight (mm)
ACE-BLANK – C	580, 860, 1140, 1420, 1700, 1980, 2260	50	59



## Technical Specification

## ACE-BLANK

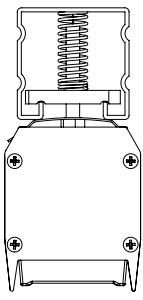
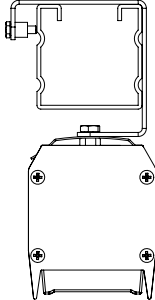
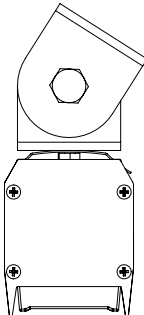
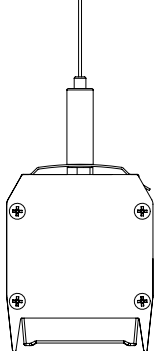
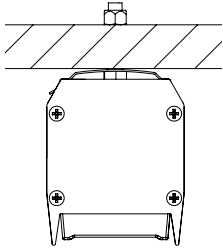
<b>Powder-coated</b>	All powder coated Aluminium construction
<b>Available finishes</b>	WT (White), BK (Black), AL (Aluminium)
<b>Mounting Type</b>	Various mounting and suspension options
<b>Warranty</b>	5-year warranty as per LEDwise standard terms of warranty
<b>Manufacture</b>	Designed and Manufactured in South Africa
<b>Fitting Material</b>	All powder-coated aluminium construction

### Product Ordering Code

Single Example: **ACE-BLANK-C - 1700 - BK**

<i>ACE-BLANK - C</i>	<i>1700</i>	<i>BK (Black)</i>
Product Code	Length (mm)	Fitting Colour

### Mounting Options

				
P2000 Spring Mount	P2000 Hanger Bracket	Tilt Mount	Suspended	Surface Mounted

### Document Info

ACE-Blank Rev 1



Phone: +27 21 447 3325



info@ledwise.co.za



www.ledwise.co.za



Unit 2, 8<sup>th</sup> Avenue Industrial Estate, 69 8<sup>th</sup> Avenue, Maitland, 7405