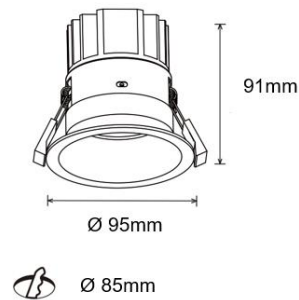


Technical Specification

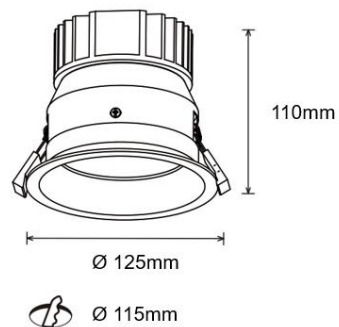
COB-DR

Product Name:	COB - DR
Category:	Ceiling Light
Description:	Recessed ceiling light with single Chip on Board LED

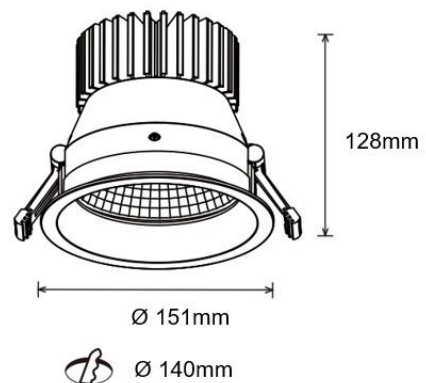
COB10 - DR



COB15 | 20 - DR



COB25 | 35 | 45 - DR



Technical Specification

COB-DR

Fitting Material	High pressure die cast aluminium housing
Trim adjustability	Fixed Trim
Available finishes	Powder coated white
Optic Type	Reflector
IP Rating	IP20
Mounting Type	Ceiling cut-out
LED Colours (CCT)	3000K, 4000K + speciality retail, food and health colours
LED Colour Consistency	<3 SDCM
Colour Rendering Index (CRI)	CRI80 , CRI90 (CRI95+ on request)
LED Lifetime	L80B10 >50,000 hrs at Ta = 25° Celsius
Control Options	non-dim (N), DALI (DALI), Bluetooth (BLU)
Operating Voltage/ Frequency	220 – 240 V/ 50 – 60 Hz
Optional Add-ons	Min. 1 hour emergency version available
	Compatibility with specific motion or light sensors
Warranty	5 year warranty as per LEDwise standard terms of warranty
Manufacture	Assembled in South Africa

Optical and Electrical Characteristics							
Product Code	Plug Power (W)	LED Colour	Colour Temp (K)	Min CRI	Luminaire Luminous Flux (lm) *	Luminaire Luminous Efficacy (lm/W)	Beam Angles
COB10 - DR	10.1	WW	3000	80	1188	117	25, 45°
		NW	4000	80	1247	123	
COB15 - DR	13.6	WW	3000	90	1511	111	30, 50°
		NW	4000	90	1556	114	
COB20 - DR	19.9	WW	3000	90	2100	105	30, 50°
		NW	4000	90	2163	108	
COB25 - DR	27.7	WW	3000	90	2740	99	30, 50°
		NW	4000	90	2821	102	
COB35 - DR	36.5	WW	3000	90	3356	92	30, 50°
		NW	4000	90	3456	95	
COB45 - DR	42.2	WW	3000	80	4627	110	30, 50°
		NW	4000	80	4807	114	

*Values accurate to within 10%

Technical Specification

COB-DR

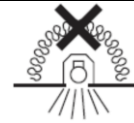
Product Ordering Code

Example: **COB25-DR – 3090 – 30 – WT – N**

COB25-DR	3090 = 3000K CRI90	30°	WT	N (Non-Dim)
Product Code	LED Colour CRI	Beam Angle	Fitting Colour	Control

Warning

DO NOT COVER WITH THERMAL INSULATION MATERIAL



Document Info

COB-DR Rev 3