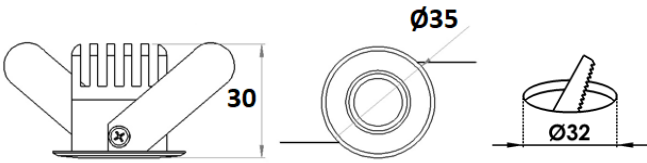
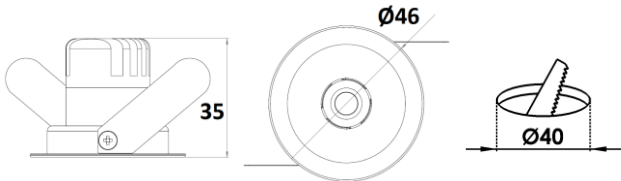


## Technical Specification

## CL1

<b>Product Name:</b>	CL1
<b>Category:</b>	Star Light
<b>Description:</b>	Recessed lensed star light with single LED

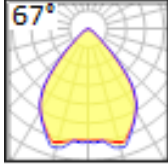


Dimensions (mm)	
	
<b>CL1 / CL1S</b>	<b>CL1-Curve or CL1S-Curve</b>

<b>Fitting Material</b>	High quality machined aluminium housing
<b>Trim adjustability</b>	Fixed Trim
<b>Available finishes</b>	Anodised aluminium, powder coated white, custom colours on request
<b>Optic Type</b>	Lens
<b>IP Rating</b>	IP20
<b>Mounting Type</b>	Ceiling cut-out
<b>LED Colours (CCT)</b>	3000K, 4000K (others on request)
<b>LED Colour Consistency</b>	<3 SDCM
<b>Colour Rendering Index (CRI)</b>	CRI80 (CRI90 on request)
<b>LED Lifetime</b>	L70 > 50,000 hrs at Ta = 25° Celsius
<b>Control Options</b>	non-dim (N), phase-cut dimming (D), DALI (DALI), Bluetooth (BLU)
<b>Operating Voltage/ Frequency</b>	220 – 240 V/ 50 – 60 Hz
<b>Optional Add-ons</b>	Min. 1 hour emergency version available Compatibility with specific motion or light sensors
<b>Features</b>	Available with one driver per fitting (CL1S OR CL1S-Curve) Available in groups of 6, 7 or 10 fittings per driver (CL1 OR CL1-Curve)
<b>Warranty</b>	5 year warranty as per LEDwise standard terms of warranty
<b>Manufacture</b>	Designed and Manufactured in South Africa

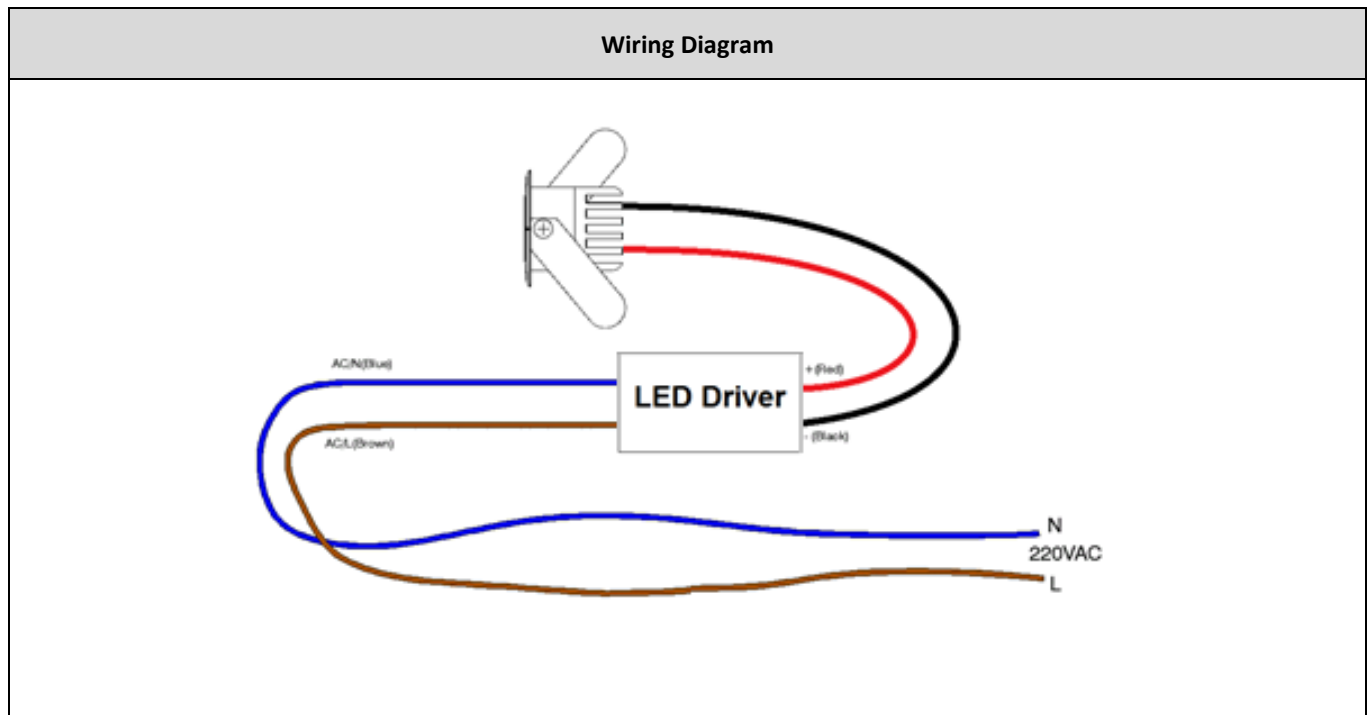
## Technical Specification

CL1

CL1S (Single) - Fitting Optical and Electrical Characteristics							
Product Code	Plug Power (W)	LED Colour	Colour Temp (K)	Min CRI	Luminaire Luminous Flux (lm) *	Luminaire Luminous Efficacy (lm/W)	Beam Angles
CL1S / CL1S-Curve	1.9	WW	3000	80	95	50	
		NW	4000	80	102	53	

\*Values accurate to within 10%

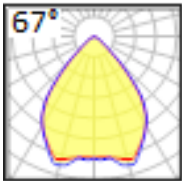
CL1S (Single) - Product Ordering Code				
Example: <b>CL1S – WW – 67 – WT – N</b>				
CL1S	WW	67	WT	N
Product Code	LED Colour	Beam Angle	Fitting Colour	Control



## Technical Specification

## CL1

### CL1 (Grouped) - Fitting Optical and Electrical Characteristics

Star Light Product Code	Driver Product Code	Plug Power (W)	LED Colour	Colour Temp (K)	Min CRI	Luminaire Luminous Flux (lm) *	Luminaire Luminous Efficacy (lm/W)	Beam Angles
CL1 / CL1-Curve	ELP6x1	7.4	WW	3000	80	6 x 95	77	
			NW	4000	80	6 x 102	82	
CL1 / CL1-Curve	ELP7x1	8.6	WW	3000	80	7 x 95	77	
			NW	4000	80	7 x 102	83	
CL1 / CL1-Curve	ELP10x1	12.4	WW	3000	80	10 x 95	76	
			NW	4000	80	10 x 102	82	

\*Values accurate to within 10%

### CL1 (Grouped) - Product Ordering Code

Example: **CL1 – WW – 67 – WT**

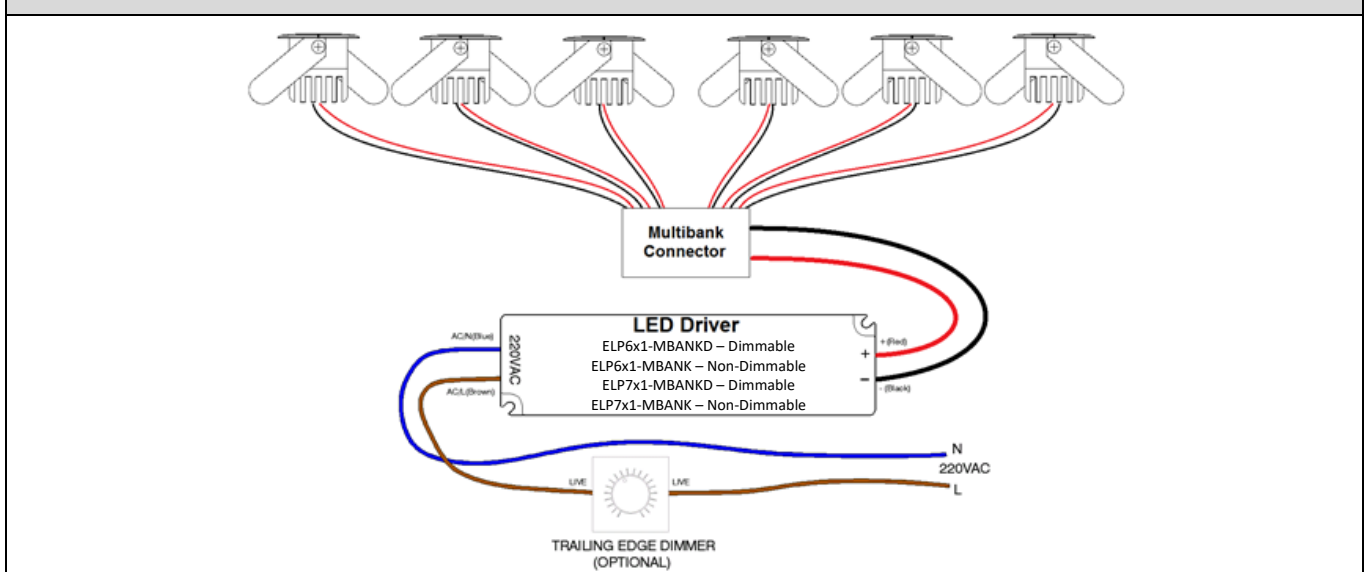
CL1	WW	67	WT
Product Code	LED Colour	Beam Angle	Fitting Colour

### CL1 (Grouped) - Driver Ordering Code

Example: **ELP10x1 - MbankDALI**

ELP10x1-Mbank	DALI
Product Code	Control

### Wiring Diagram



## Technical Specification

CL1

### Warning

*DO NOT COVER WITH THERMAL INSULATION MATERIAL*



### Document Info

CL1 Rev 10