

## Technical Specification

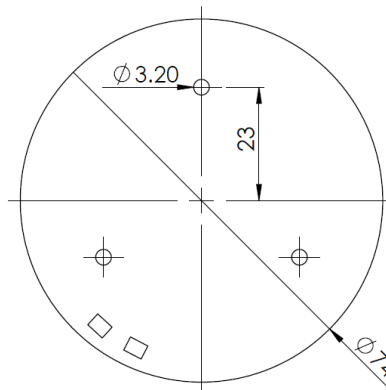
## CL220-15

<b>Product Name:</b>	CL220-15
<b>Category:</b>	Round AC LED Module
<b>Description:</b>	74mm Diameter AC LED Module



<b>Features:</b>	220V AC Operation, Driver on Board (DOB) technology	<b>Applications:</b>	Bulk Head Lighting
	15 high voltage LEDs from Samsung		Downlights
	Power Consumption = 15.6W		
	Power Factor = 0.97		
	Lumen Output = 1366 lumens		
	On board MOV surge protection		
	On board thermal management.		
	Aluminium PCB		
Available in Natural and Warm White			
Locally designed and manufactured			

### Dimensions



Product Code	Diameter (mm)	Total Thickness (mm)
CL220-15	74	8



## Technical Specification

## CL220-15

### Electrical Characteristics

Parameter	Value	Unit
AC Input Voltage	220-240	V AC
AC Drive Current	44	mA
Power Factor	0.97	
AC Power	15.6	W

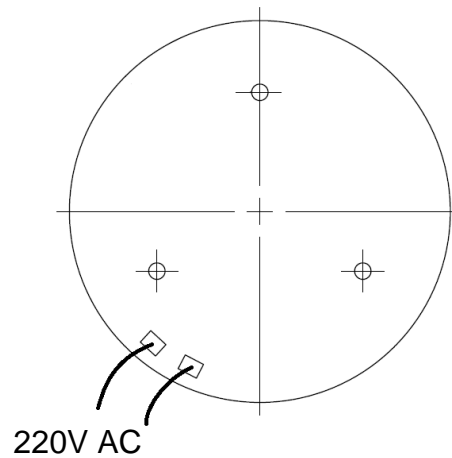
### Optical Characteristics

Product Code	LED Colour		CCT (K)	Module Flux (lm)*	Angle (°)	Min CRI
CL220-15-NW		NW	4000	1366	120	80
CL220-15-WW		WW	3000	1297	120	80

NW - Natural White  
WW - Warm White

\* Values accurate to within 10%

### Wiring



### Product Ordering Code

Example: CL220-15-NW

CL220-15	NW			
Product Code	Natural White LED Colour			

### Document Info

CL220-15 Rev 1