

## Technical Specification

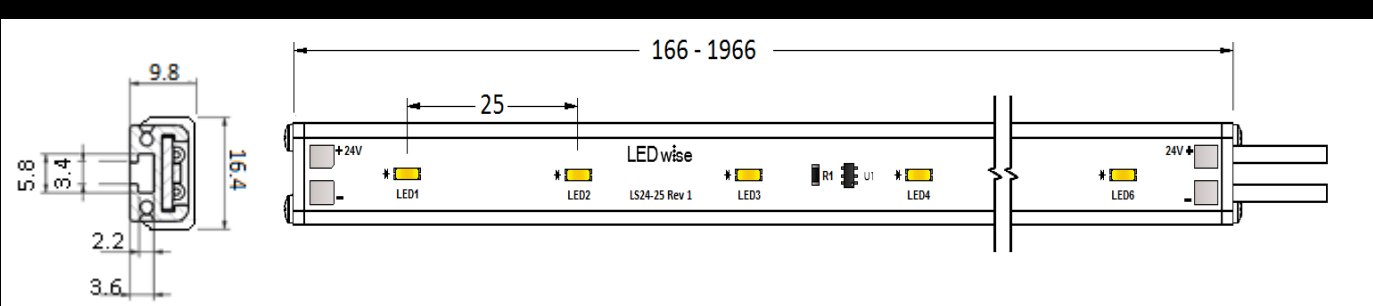
## LL-A-24-25

<b>Product Name:</b>	LL-A-24-25
<b>Category:</b>	Light Line
<b>Description:</b>	24V low powered LED Light Line in an anodized aluminium housing with LEDs spaced 25mm apart



<b>Features:</b>	Anodized aluminium housing	<b>Applications:</b>	Signage
	Rigid, durable polycarbonate clear cover		Architectural lighting
	Optional IP67 weatherproof resin coating		Bulkhead lighting
	Power Consumption = 3.2W/m		Shop fitting
	Operating Voltage = 24V		Kick plate lighting
	LED Drive Current = 20mA		Cove lighting
	Lumen Output = 300 lumens/meter		Shelf lighting
	L70 > 50,000 hrs at Ta = 25°Celsius		Night lines
	Current regulation on PCB		Display case lighting
	LEDs from Osram		
	Maximum linear connected length = 13.5m		
	Available in lengths of n x 150mm + 16mm		
	Custom lengths available		
	Available with optional IP67 connectors		
Available in Cool, Natural and Warm White			

### Dimensions



Product Code	Width (mm)	Min Length (mm)	Max Length per section (mm)	Height (mm)
LL-A-24-25	16.4	166	1966	9.8

## Technical Specification

## LL-A-24-25

### Electrical Characteristics

Parameter	Value	Unit
LED Drive Current	20	mA
Operating Voltage	24	V DC
Power	3.2	W/m

### Optical Characteristics

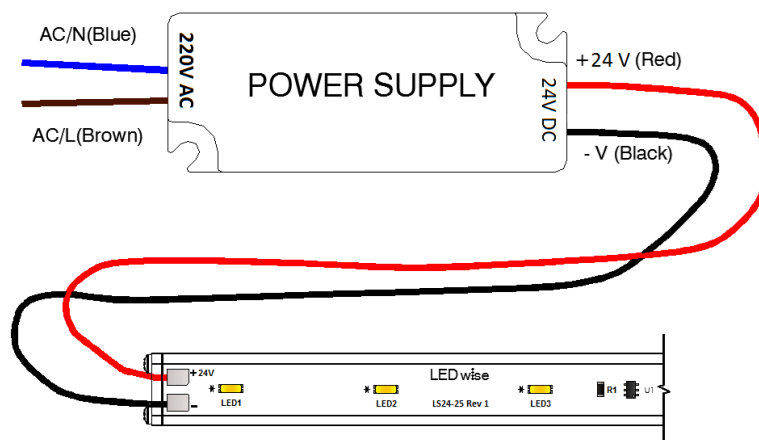
Product Code	LED Colour	CCT (K)	Luminaire Intensity (lm/m)*	Angle (°)	Min CRI
LL-A-24-25-W	W	6000	300	120	80
LL-A-24-25-NW	NW	4000	300	120	80
LL-A-24-25-WW	WW #	3000	300	120	80

W - Cool White  
 NW - Natural White  
 WW - Warm White

\* Values accurate to within 10%

# Not available in IP67

### Wiring Diagram



### Product Ordering Code

Example: LL-A-24-25-NW-1366-IP

LL-A-24-25	NW	1366	IP
Product Code	Natural White LED Colour	Length in mm	IP67 Rating (optional)

### Document Info

LL-A-24-25 Rev 2