

Technical Specification

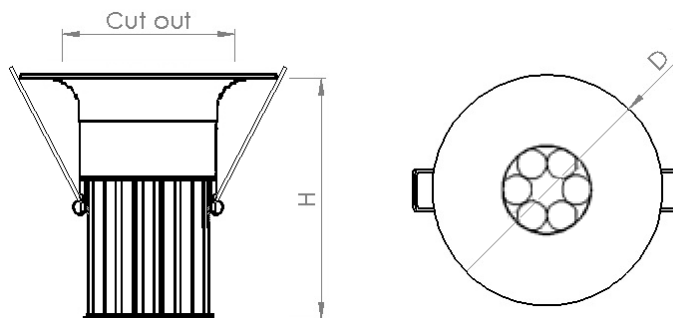
CL6-Curve

Product Name:	CL6-Curve
Category:	Ceiling Light
Description:	Recessed LED Ceiling light with 6 x 1.2W Osram LEDs



Features:	Available in Natural and Warm White	Applications:	Hotels
	Dimmable		Offices
	6 x 1.2W Osram LEDs		Shops
	Power factor > 0.75		Restaurants
	Max Power Consumption = 8.7W (Dimmable)		Reception Counters
	544 Lumen Output – Natural White		Display Cabinets
	Available in beam angles of 15°, 20° and 36°		Houses
	L70 > 50,000 hrs at Ta = 25° Celsius		(Indoor use only)
	Min Efficacy of 58 lm/W		
	Fitting available in White and Aluminium		
IES Files available on request			

Dimensions

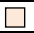



Product Code	Diameter (mm)	Height (mm)	Cut-Out Diameter (mm)
CL6-Curve	110	104	90

Technical Specification

CL6-Curve

Electrical Characteristics			
Parameter	Value		Unit
LED Drive Current	350		mA
Operating Voltage/Frequency	220-240/50-60		V AC/Hz
Dimming	Phase Control	Non Dimmable	-
Power	8.7	8.0	W
Power Factor	>0.9	>0.75	-
Driver Efficiency	>73.5	>75	%

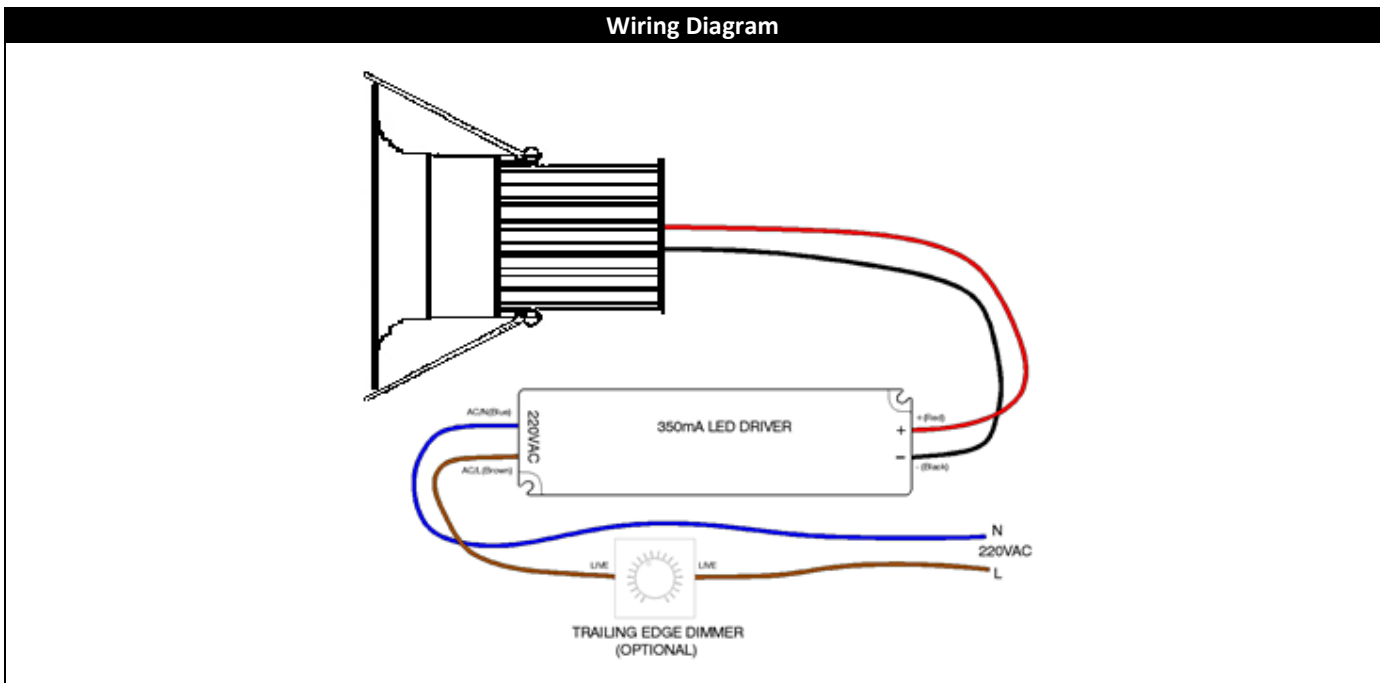
Optical Characteristics								
Product Code	LED Colour		Colour Temp (K)	Bare LED Intensity (lm) *	Luminaire Intensity (lm) *	Angle (°)	Min CRI	Fitting Colour
CL6		NW	4000	720	544	15,20,36	80	Wt
CL6		WW	3000	670	505	15,20,36	80	Wt

NW = Natural White LED Colour

WW = Warm White LED Colour

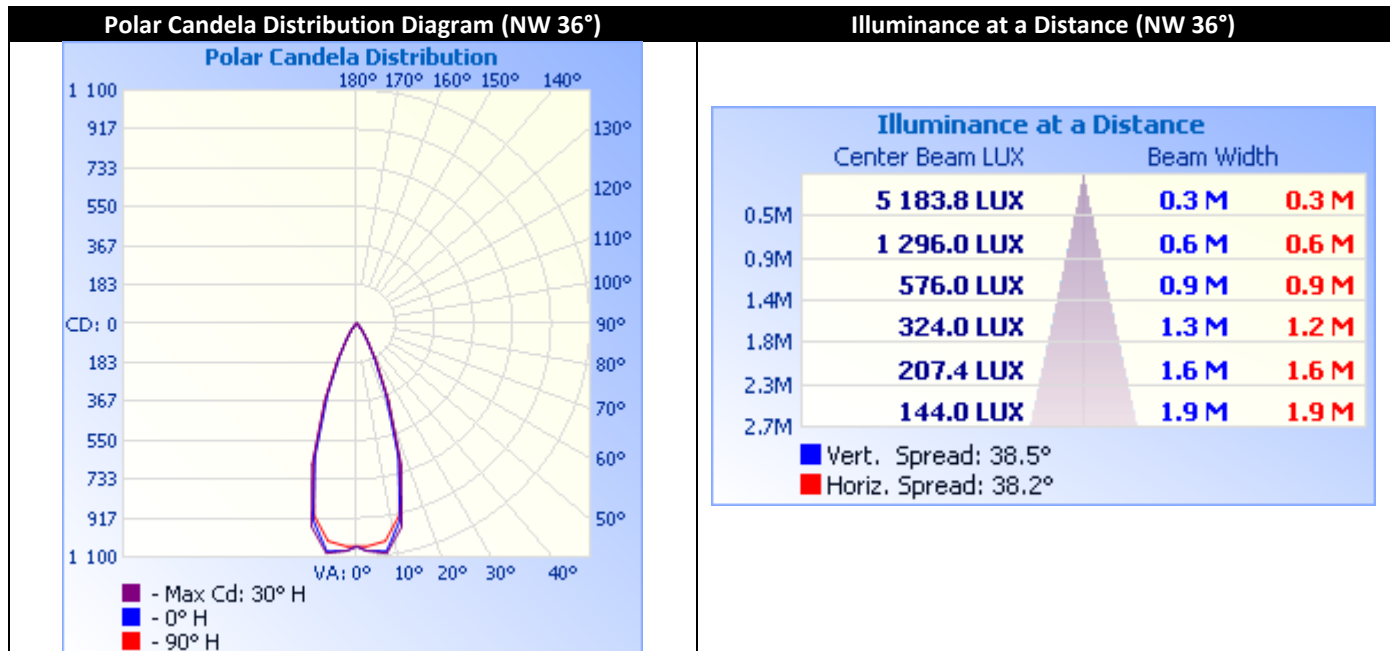
* Values accurate to within 10%

Wt = White



Technical Specification

CL6-Curve



Product Ordering Code

Example: *CL6-Curve-NW-36-WT-N*

<i>CL6-Curve</i>	<i>NW</i>	<i>36</i>	<i>WT</i>	<i>N</i>
Product Code	Natural White LED Colour	Beam Angle	Fitting Colour	Non-Dimmable

Warning

DO NOT COVER WITH THERMAL INSULATION MATERIAL



Document Info

CL6-Curve Rev 3