
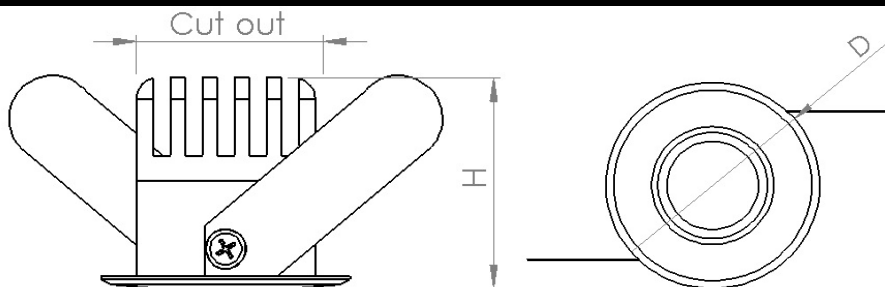


Technical Specification

CL1

Product Name:	CL1		
Category:	Star Light		
Description:	Recessed LED Star Light with 1 x 1.2W Osram LED		
			
Features:	Available in Natural and Warm White	Applications:	Hotels
	Available in strings of 4-7 Star Lights		Offices
	Dimmable (only when used in a string of 6 or 7)		Shops
	1 x 1.2W Osram LED		Restaurants
	Power Consumption per Star Light = 1.45W		Reception Counters
	102 Lumen Output – Natural White		Display Cabinets
	Available in beam angles of 15° and 67°		Houses
	L70 > 50,000 hrs at Ta = 25° Celsius		(Indoor use only)
IES Files available on request			

Dimensions



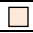

Product Code	Diameter (mm)	Height (mm)	Cut-Out Diameter (mm)
CL1	35	30	32

Electrical Characteristics

Parameter	Value		Unit
LED Drive Current	350		mA
Operating Voltage/Frequency	220-240/50-60		V AC/Hz
Average Power per Star Light	1.45		W
Dimming (only when in string of 6)	Non-Dimmable	Phase Control	-
Power Factor	>0.7	>0.9	-

Technical Specification

CL1

Optical Characteristics								
Product Code	LED Colour		Colour Temp (K)	Bare LED Intensity (lm) *	Luminaire Intensity (lm) *	Angle (°)	Min CRI	Fitting Colour
CL1		NW	4000	120	102	15,67	80	Wt,Al
CL1		WW	3000	112	95	15,67	80	Wt,Al

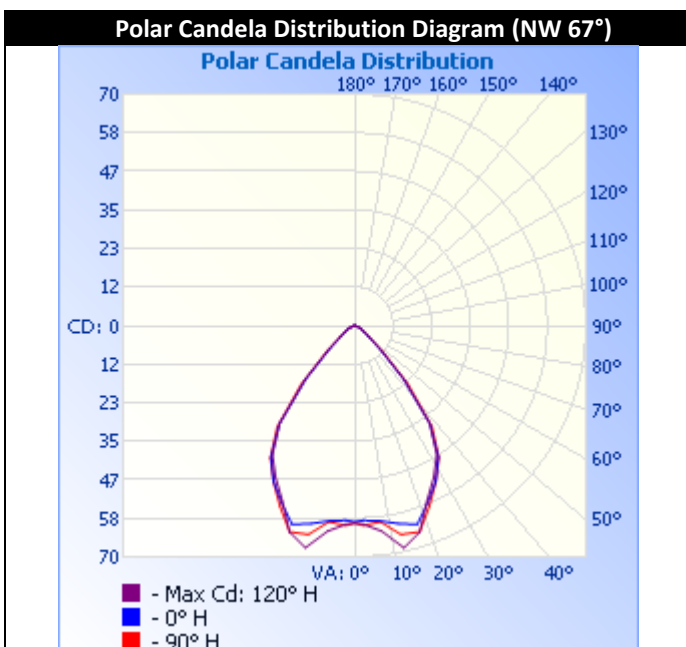
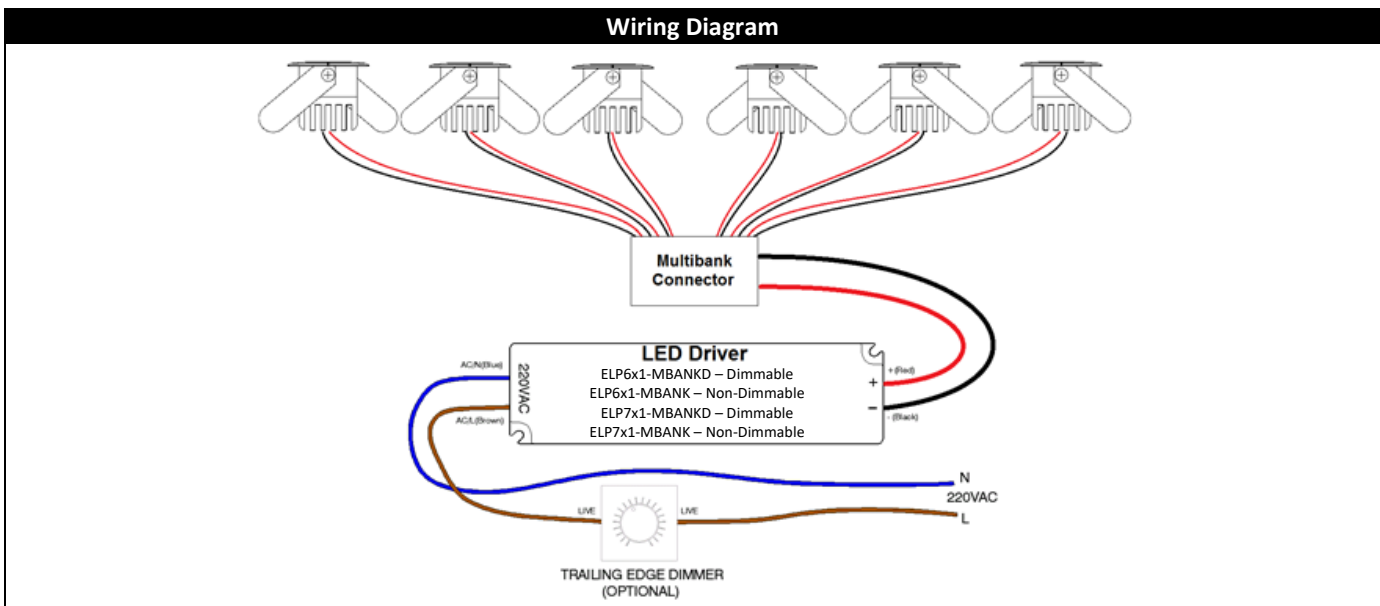
NW = Natural White LED Colour

WW = Warm White LED Colour

* Values accurate to within 10%

Al = Aluminium

Wt = White



Illuminance at a Distance (NW 67°)

Distance	Center Beam LUX	Beam Width
0.5M	293.0 LUX	0.7 M 0.7 M
0.9M	73.2 LUX	1.4 M 1.4 M
1.4M	32.6 LUX	2.1 M 2.1 M
1.8M	18.3 LUX	2.8 M 2.9 M
2.3M	11.7 LUX	3.5 M 3.6 M
2.7M	8.1 LUX	4.1 M 4.3 M

■ Vert. Spread: 75.0°
■ Horiz. Spread: 76.8°

Technical Specification

CL1

Product Ordering Code

Example: *CL1-NW-67-AL-N*

<i>CL1</i>	<i>NW</i>	<i>67</i>	<i>AL</i>	<i>N</i>
Product Code	Natural White LED Colour	Beam Angle	Fitting Colour	Non-Dimmable

Example: *ELP6x1-MBANKD* (necessary with strings of 4-7 CL1 Star Lights)

Dimmable LED Driver to be used with a string of 6 x CL1 Star Lights

Warning

DO NOT COVER WITH THERMAL INSULATION MATERIAL



Document Info

CL1 Rev 7