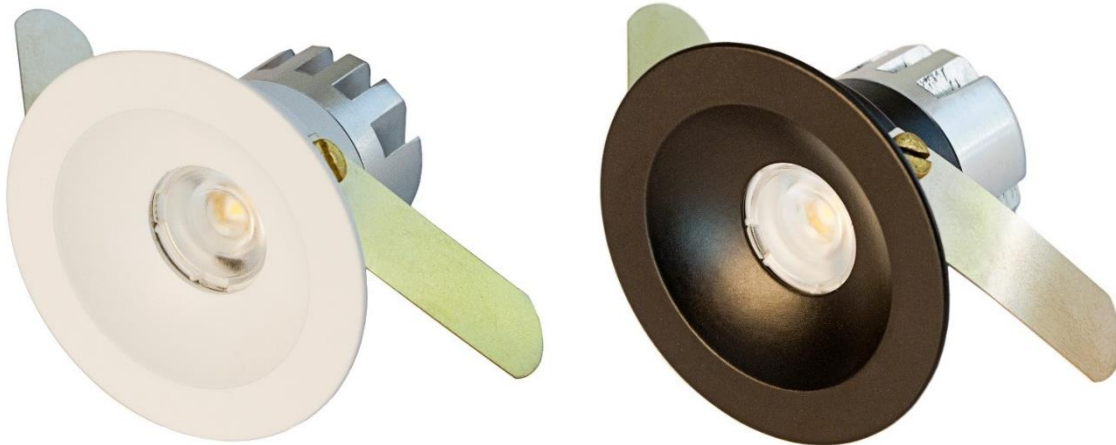


## Technical Specification

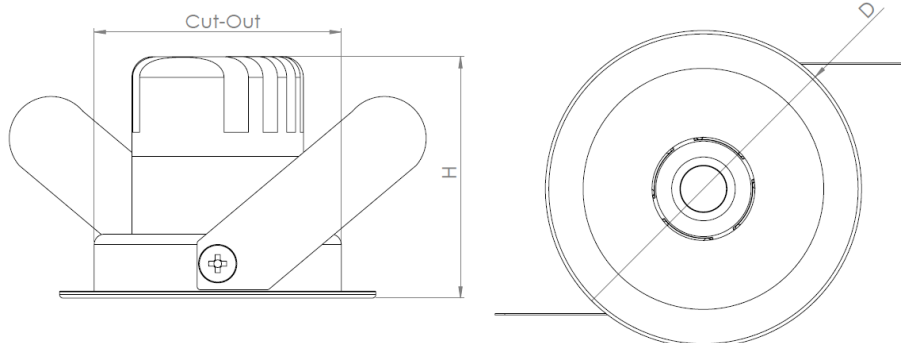
## CL1S-Curve

<b>Product Name:</b>	CL1S-Curve
<b>Category:</b>	Star Light
<b>Description:</b>	Recessed LED Star Light with 1 x 1.2W Osram LED



<b>Features:</b>	Available in Natural and Warm White	<b>Applications:</b>	Hotels
	Non-Dimmable		Offices
	1 x 1.2W Osram LED		Shops
	Power consumption per star light = 1.9W		Restaurants
	102 Lumen Output – Natural White		Reception Counters
	Available in beam angles of 15° and 67°		Display Cabinets
	L70 > 50,000 hrs at Ta = 25° Celsius		Houses
	IES Files available on request		(Indoor use only)
Individual driver for each star light			

### Dimensions





Product Code	Diameter (mm)	Height (mm)	Cut-Out Diameter (mm)
CL1S-Curve	46	35	40

## Technical Specification

## CL1S-Curve

Electrical Characteristics		
Parameter	Value	Unit
LED Drive Current	350	mA
Operating Voltage/Frequency	220-240/50-60	V AC/Hz
Average Power per Star Light	1.9	W
Dimming	Non-Dimmable	-
Power Factor	>0.5	-

Optical Characteristics							
Product Code	LED Colour	Colour Temp (K)	Bare LED Intensity (lm) *	Luminaire Intensity (lm) *	Angle (°)	Min CRI	Fitting Colour
CL1S-Curve	 NW	4000	120	102	15,67	80	Wt,Bk
CL1S-Curve	 WW	3000	112	95	15,67	80	Wt,Bk

NW = Natural White LED Colour

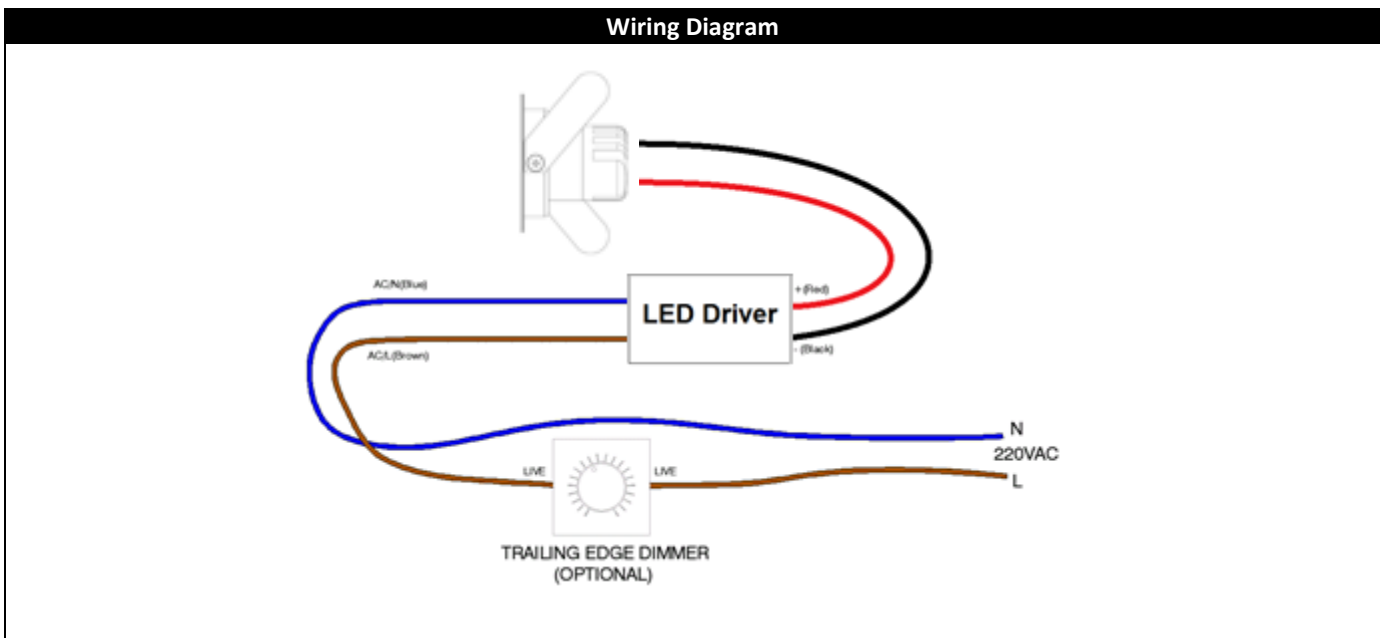
WW = Warm White LED Colour

\* Values accurate to within 10%

Wt = White

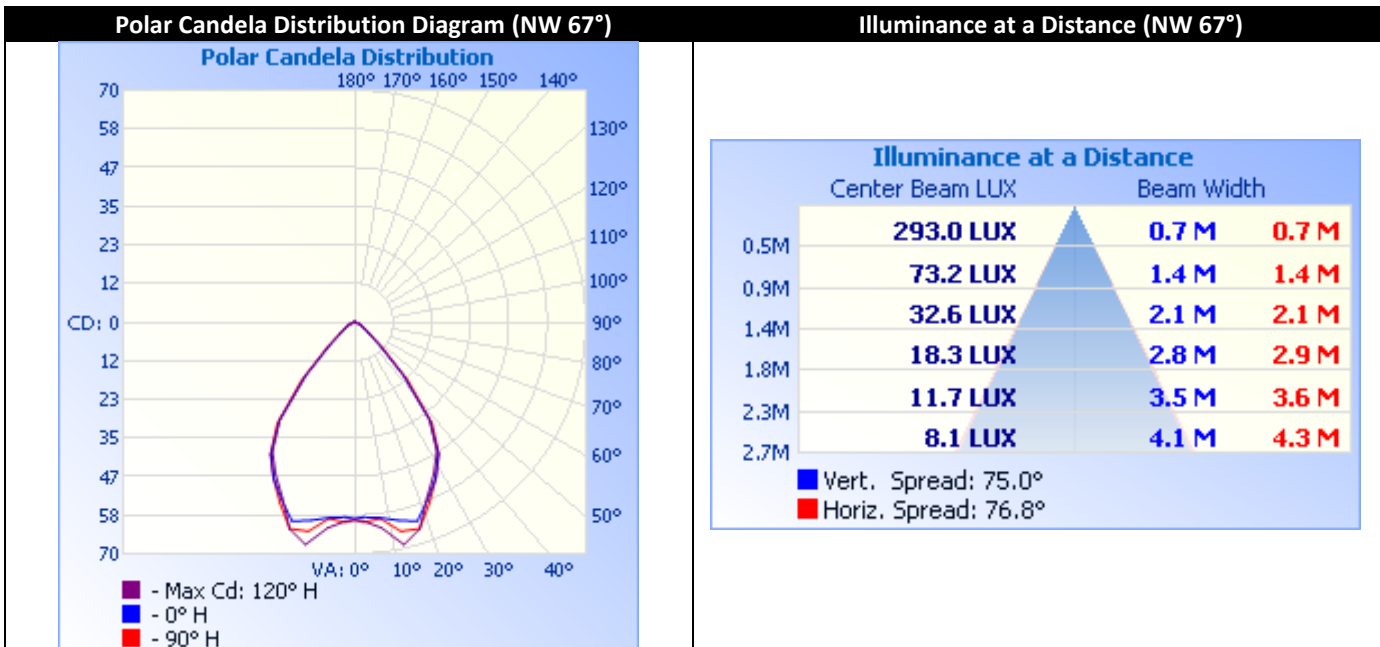
BK = Black

### Wiring Diagram



## Technical Specification

## CL1S-Curve



### Product Ordering Code

Example: *CL1S-Curve-NW-67-WT-N*

<i>CL1S-Curve</i>	<i>NW</i>	<i>67</i>	<i>WT</i>	<i>N</i>
Product Code	Natural White LED Colour	Beam Angle	Fitting Colour	Non-Dimmable

### Warning

*DO NOT COVER WITH THERMAL INSULATION MATERIAL*



### Document Info

CL1S-Curve Rev 3