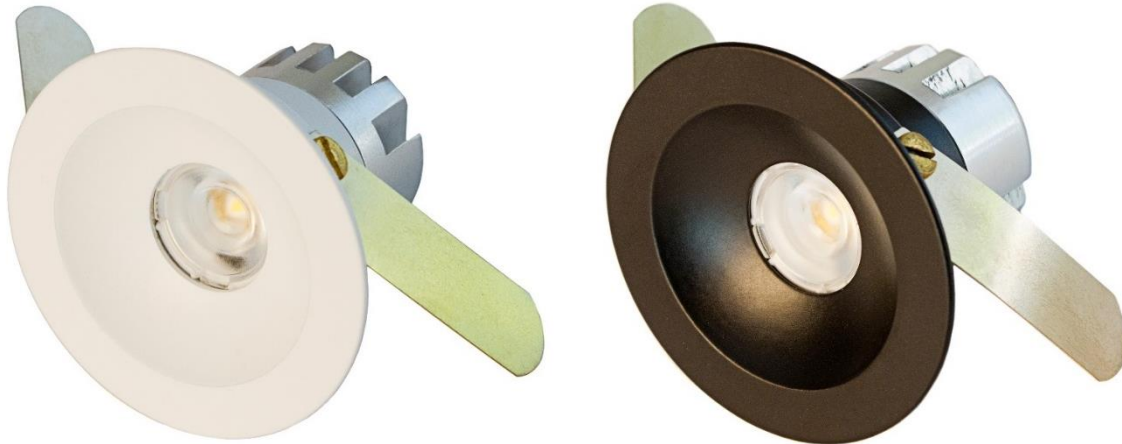


Technical Specification

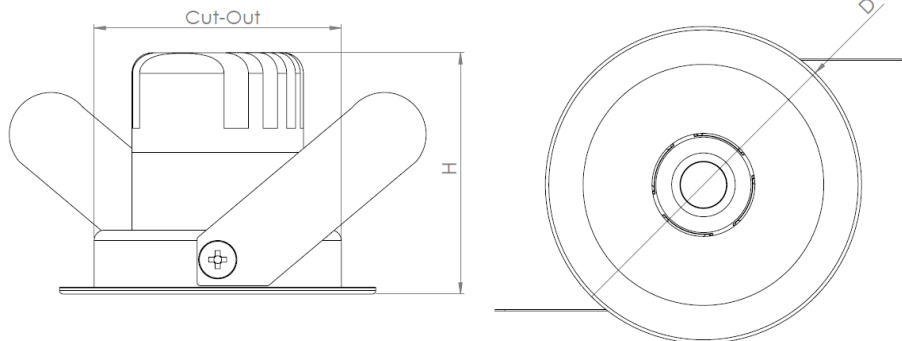
CL1-Curve

Product Name:	CL1-Curve
Category:	Star Light
Description:	Recessed LED Star Light with 1 x 1.2W Osram LED



Features:	Available in Natural and Warm White	Applications:	Hotels
	Available in strings of 4-7 Star Lights		Offices
	Dimmable (only when used in a string of 6 or 7)		Shops
	1 x 1.2W Osram LED		Restaurants
	Power Consumption per Star Light = 1.45W		Reception Counters
	102 Lumen Output – Natural White		Display Cabinets
	Available in beam angles of 15° and 67°		Houses
	L70 > 50,000 hrs at Ta = 25° Celsius		(Indoor use only)
IES Files available on request			

Dimensions





Product Code	Diameter (mm)	Height (mm)	Cut-Out Diameter (mm)
CL1-Curve	46	35	40

Technical Specification

CL1-Curve

Electrical Characteristics			
Parameter	Value		Unit
LED Drive Current	350		mA
Operating Voltage/Frequency	220-240/50-60		V AC/Hz
Average Power per Star Light	1.45		W
Dimming (only when in string of 6)	Non-Dimmable	Phase Control	-
Power Factor	>0.7	>0.9	-

Optical Characteristics								
Product Code	LED Colour		Colour Temp (K)	Bare LED Intensity (lm) *	Luminaire Intensity (lm) *	Angle (°)	Min CRI	Fitting Colour
CL1-Curve		NW	4000	120	102	15,67	80	Wt,Bk
CL1-Curve		WW	3000	112	95	15,67	80	Wt,Bk

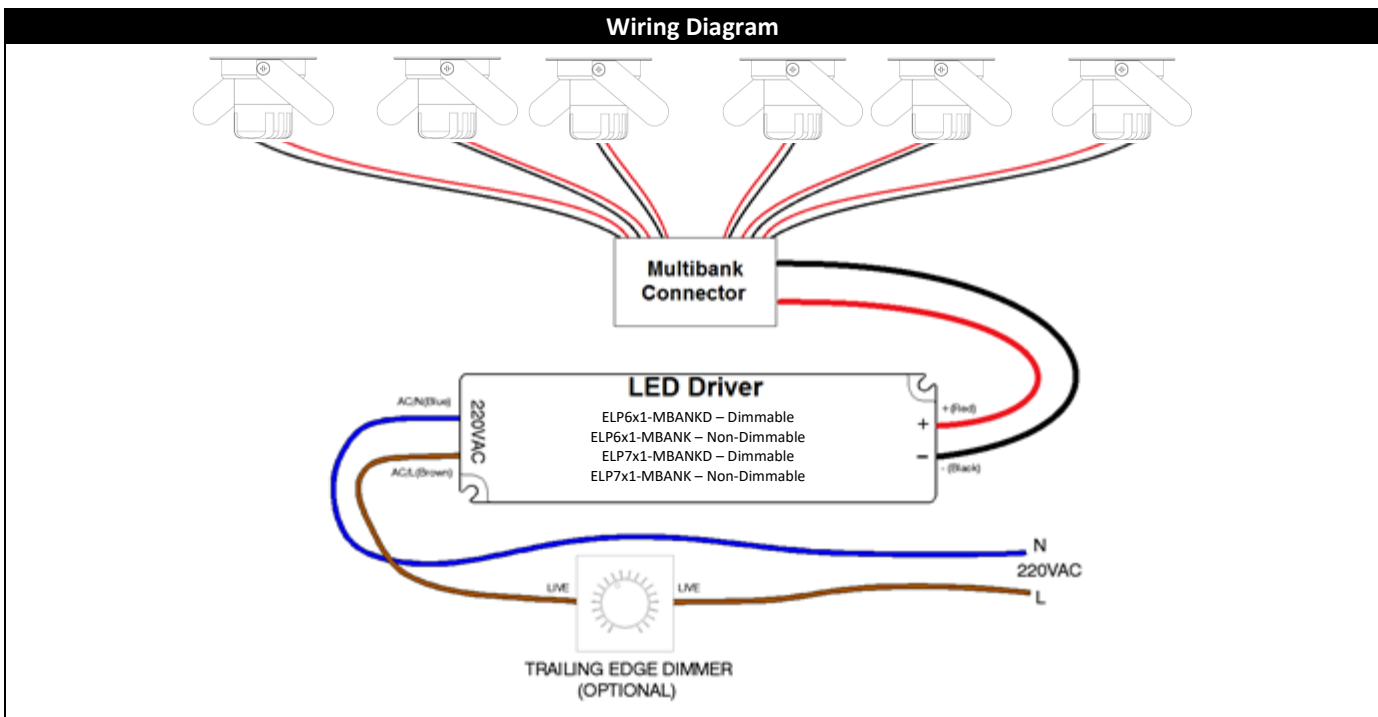
NW = Natural White LED Colour

WW = Warm White LED Colour

* Values accurate to within 10%

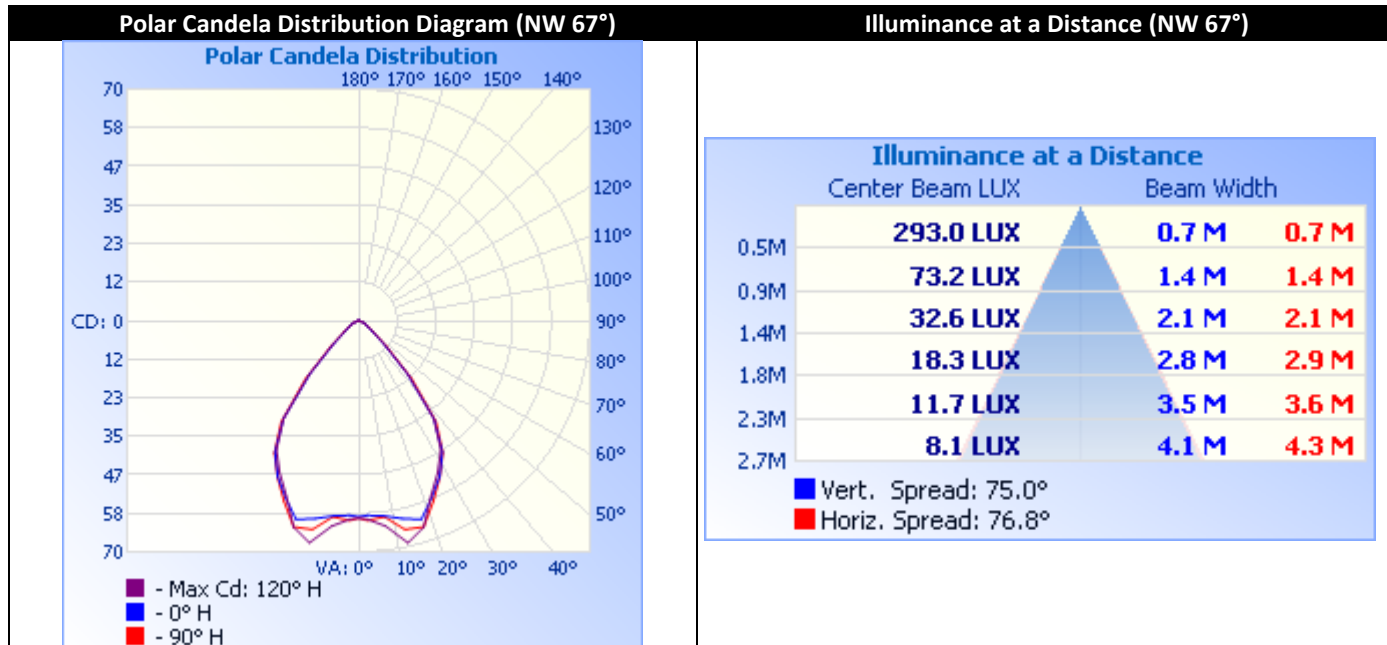
Wt = White

Bk = Black



Technical Specification

CL1-Curve



Product Ordering Code				
Example: CL1-Curve-NW-67-WT-N				
CL1-Curve	NW	67	WT	N
Product Code	Natural White LED Colour	Beam Angle	Fitting Colour	Non-Dimmable
Example: ELP6x1-MBANKD (necessary with strings of 4-7 CL1 Star Lights)				
Dimmable LED Driver to be used with a string of 6 x CL1-Curve Star Lights				

Warning	
DO NOT COVER WITH THERMAL INSULATION MATERIAL	

Document Info
CL1-Curve Rev 4