

Technical Specification

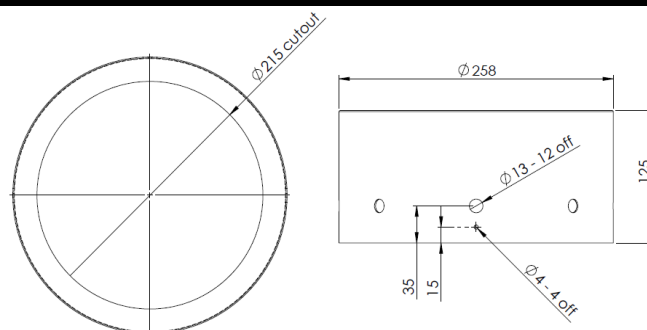
CB-200

Product Name:	CB-200
Category:	Accessory
Description:	Ceiling box for surface mounting of recessed luminaires



Features:	Ceiling Box for surface mounting of CL19-Dish200 or CL24-Dish200 (i.e. 200mm Cut/out)	Applications:	Hotels
	Fitting available in white as standard. Custom colours available on request		Offices
			Shops
			Restaurants
			Reception Counters
			Houses
			(Indoor use only)

Dimensions



Product Code	Diameter (mm)	Height (mm)	Cut-Out Diameter (mm)
CB-200	258	125	215

Product Ordering Code

Example: CB-200

Document Info

CB-200 Rev 1