

Technical Specification

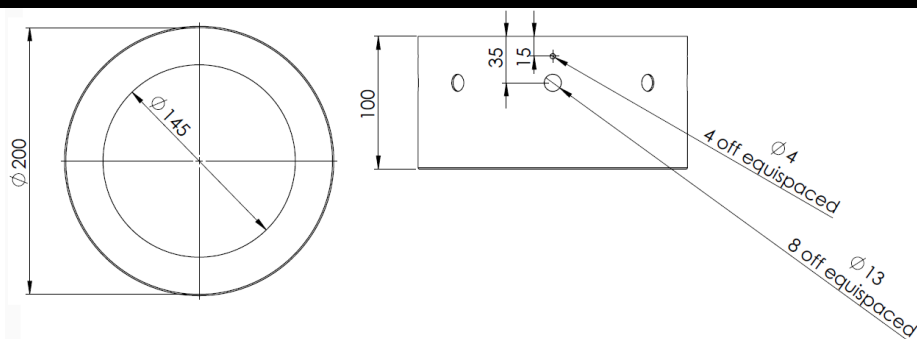
CB-140

Product Name:	CB-140
Category:	Accessory
Description:	Ceiling box for surface mounting of recessed luminaires



Features:	Ceiling Box for surface mounting of CL19, CL12-Diff, CL19-Diff, CL24-Diff & COB35 (i.e. 140mm Cut/out)	Applications:	Hotels
	Fitting available in white as standard. Custom colours available on request		Offices
			Shops
			Restaurants
			Reception Counters
			Houses
			(Indoor use only)

Dimensions



Product Code	Diameter (mm)	Height (mm)	Cut-Out Diameter (mm)
CB-140	200	100	145

Product Ordering Code

Example: CB-140

Document Info

CB-140 Rev 1