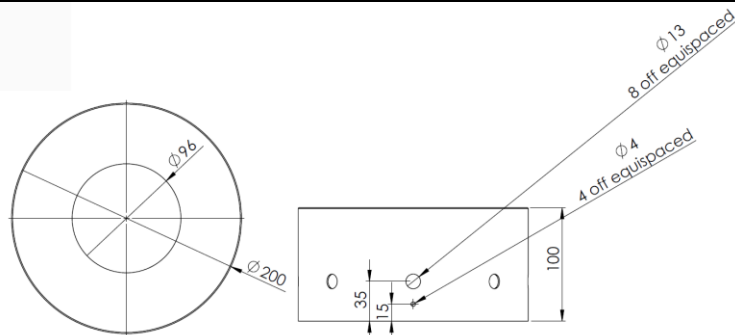


Technical Specification

CB-90

Product Name:	CB-90		
Category:	Accessory		
Description:	Ceiling box for surface mounting of recessed luminaires		
			
Features:	Ceiling Box for surface mounting of the CL12, CL6H-Diff, CL7H-Diff, COB15 & Curve Fittings (i.e. 90mm Cut/out)		Applications:
	Fitting available in white as standard. Custom colours available on request		
		Hotels	
		Offices	
		Shops	
		Restaurants	
		Reception Counters	
		Houses	
		(Indoor use only)	

Dimensions



Product Code	Diameter (mm)	Height (mm)	Cut-Out Diameter (mm)
CB-90	200	100	96

Product Ordering Code

Example: CB-90

Document Info

CB-90 Rev 1